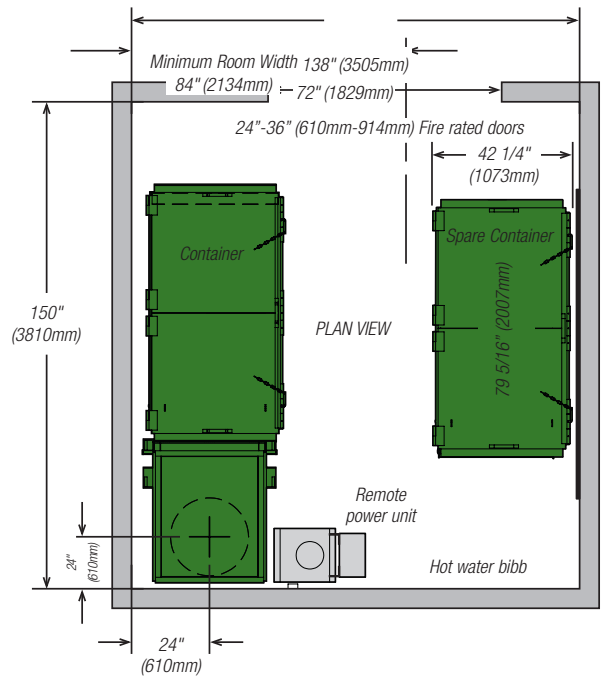


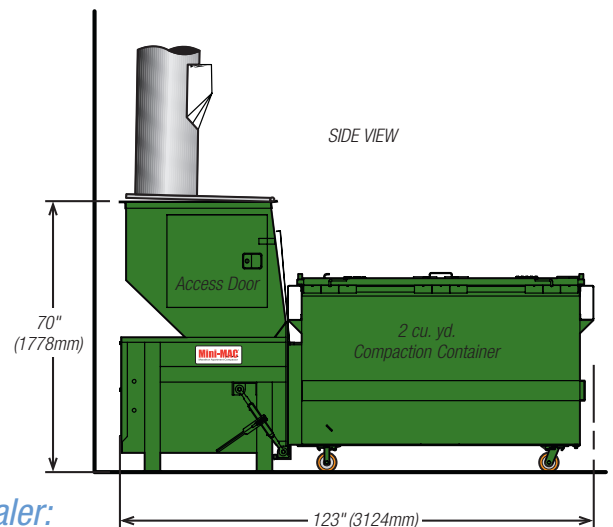
Mini-Mac[®] Apartment Compactor

Dimensions and Specifications

Specifications	Model 3A		Model 5A	
Charge Box Capacity				
[Mfr. Rating]	0.39 cu. yd.	.30 m ³	0.39 cu. yd.	.30 m ³
[WASTEC Rating]	0.28 cu. yd.	.21 m ³	0.28 cu. yd.	.21 m ³
Clear Top Opening	22.5"L x 28"W	572mm x 711mm	22.5"L x 28"W	572mm x 711mm
Capacity Per Hour	37 cu. yd.	28 m ³	74 cu. yd.	57 m ³
Performance Characteristics:				
Cycle Time	28 sec.		14 sec.	
Normal Force	13,900 lbs.	6305 kg	13,900 lbs.	6305 kg
Pack-Out Force	16,400 lbs.	7439 kg	16,400 lbs.	7439 kg
Normal Ram Face Force	23.2 psi	160 kPa	23.2 psi	160 kPa
Pack-Out Ram Face Force	27.3 psi	188 kPa	27.3 psi	188 kPa
Ram Penetration	4"	102mm	4"	102mm
Weight	1,600 lbs.	726 kg	1,600 lbs.	726 kg
Electrical Equipment:				
Tri-Volt Motor 208/230/460	3 hp	2.2 kW	5 hp	3.7 kW
Electric Control Voltage	120 VAC			
UL[®] and CUL[®] Listed				
Remote power unit with controls mounted in the face of the box				
NEMA 3-type, All circuits fused				
Standard controls: Keylock start/stop/reverse				
Hydraulic Equipment:				
Hydraulic Pump Capacity	3 gpm	11.4 L/min	6 gpm	22.7 L/min
Normal System Pressure	1650 psi	112 bar	1650 psi	112 bar
Maximum System Pressure	1950 psi	134 bar	1950 psi	134 bar
Hydraulic Cylinders (2) - Bore	2.5"	64mm	2.5"	64mm
Hydraulic Cylinders (2) - Rod	1.25"	32mm	1.25"	32mm



Typical Mini-Mac Model 3A compactor configuration with chute system



Compactor Rental and Leasing Programs Available

For detailed specifications, recommendations, or free economic studies comparing various systems, contact Marathon Customer Care at **1-800-633-8974**.



Authorized Dealer:

MARATHON
A DOVER COMPANY

Marathon Equipment Company
P.O. Box 1798
Vernon, AL 35592-1798
800.633.8974
www.marathonequipment.com
NJPA Contract #060612-ESG

National Waste & Recycling Association
Collect. Recycle. Innovate.

ISRI
MEMBER

Environmental Solutions Group
A DOVER COMPANY
www.doveresg.com



Pictures in this literature are illustrative only. Specifications are subject to change without notice in order to accommodate improvements to the equipment. Complies with ANSI standard Z245.2, all applicable OSHA Regulations, and certified under WASTEC's Stationary Compactor Certification Program. Products must be used with safe practice and in accordance with said regulations and standards.



Mini-Mac[®] Apartment Compactor

The Mini-Mac apartment compactor is a small, yet powerful compactor that can fit in areas where space is limited such as trash rooms of apartment and high-rise buildings. It is commonly used in conjunction with a chute feed system in multi-storied buildings.

Mini-Mac Compactor

Standard Features and Benefits

- 4:1 compaction ratio over un-compacted waste receptacles
- Remote power unit
- Convenient single side ratchet
- Push button controls mounted in the panel box face
- Hopper with access door and interlock for hand feed or chute feed applications
- Photoelectric cycle control
- Full container light
- CYCON Life-Xtender Cyclic Control System that offers reliable, solid state circuitry eliminating pressure and limit switches



The Mini-Mac packs into a 2 cubic yard container on poly-clad casters that allow it to be moved to a pickup area. The Mini-Mac containers can be configured for front- and rear-load collection vehicles.



**Environmental
Solutions Group**

A DOVER COMPANY